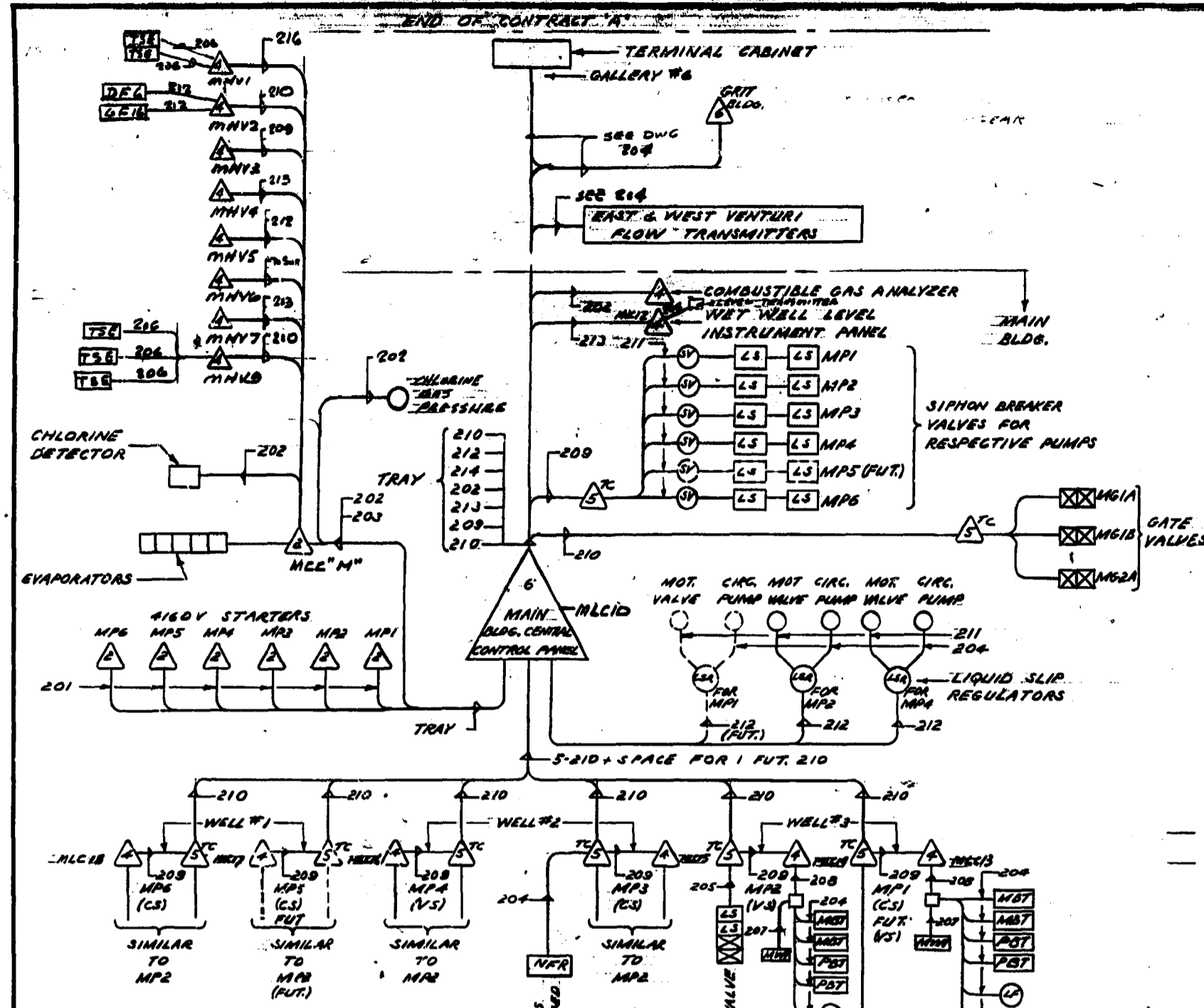


REF. TO DRAWING NO. N.E.P. 200

DETAILS

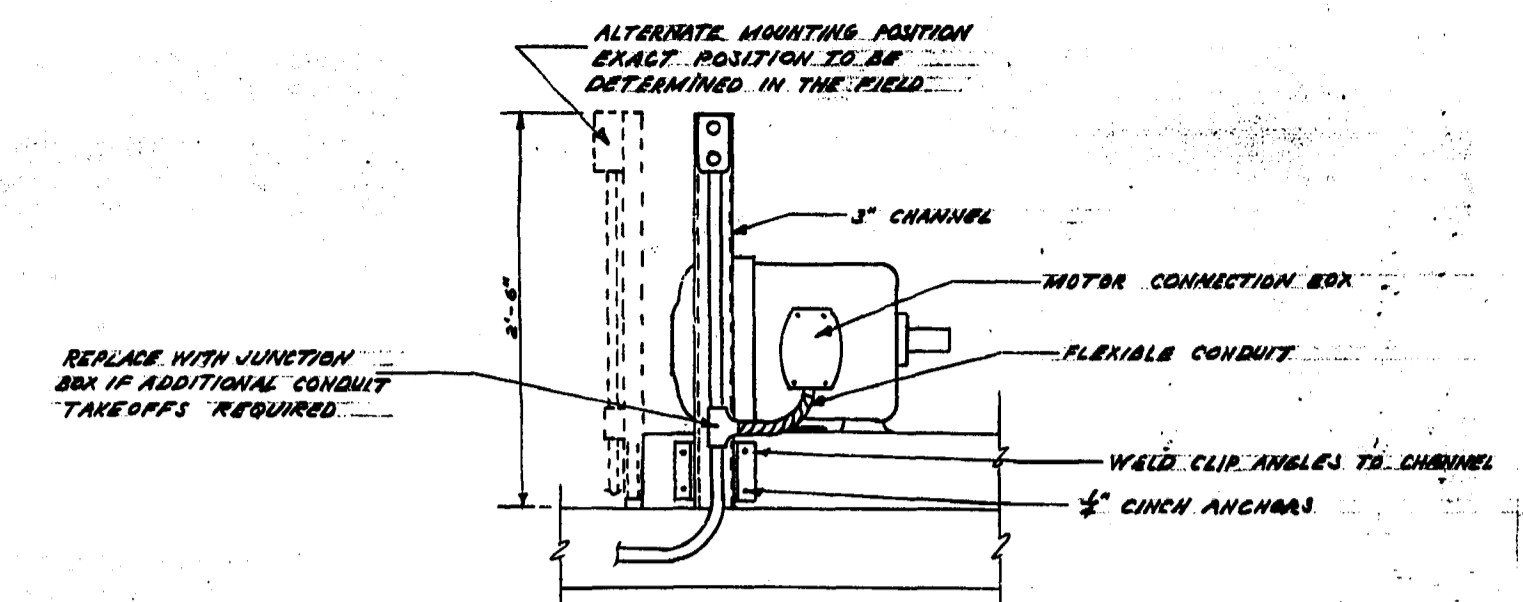
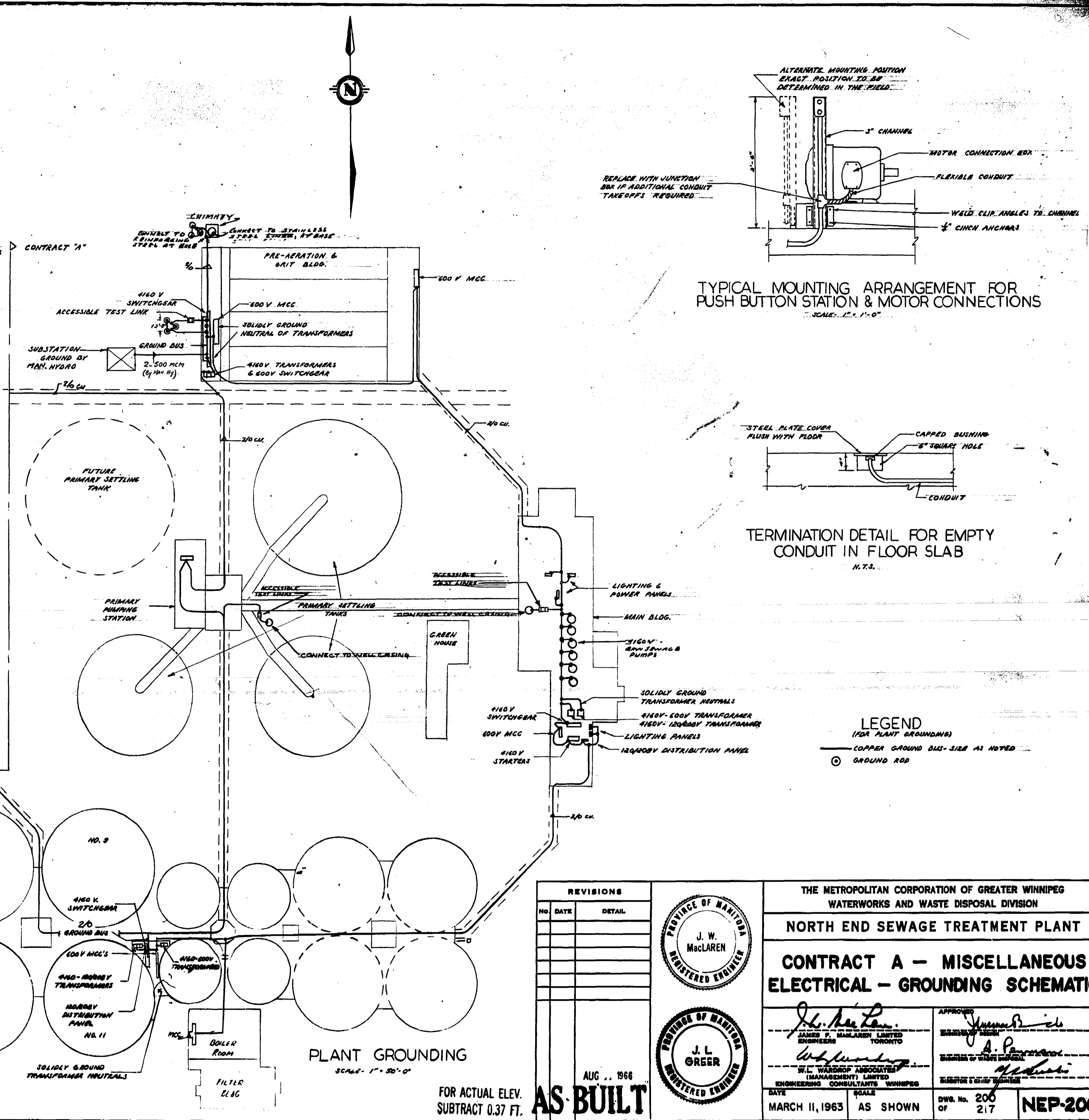


DESIG.	TYPE	NO. & SIZE	CONDUIT WHEN REQD.
201	R/W	1-20-1/2" x 1/2"	2 1/2" C
202	R/W	1-20-1/2" x 1/2"	2 1/2" C
203	R/W	1-20-1/2" x 1/2"	2 1/2" C
204	T/W	2-12-1/4" x 1/2"	2 1/2" C
205	T/W	2-12-1/4" x 1/2"	2 1/2" C
206	T/W	3-12-1/4" x 1/2"	2 1/2" C
207	T/W	12-10-1/4" x 1/2"	2 1/2" C
208	T/W	24-10-1/4" x 1/2"	2 1/2" C
209	R/W	7-12-1/4" x 1/2"	2 1/2" C
210	R/W	2-12-1/4" x 1/2"	2 1/2" C
211	T/W	5-12-1/4" x 1/2"	2 1/2" C
212	R/W	1-6-1/2" x 1/2"	1 1/2" C
213	R/W	1-6-1/2" x 1/2"	1 1/2" C
214	R/W	1-3-1/2" x 1/2"	1 1/2" C
215	R/W	3-12-1/4" x 1/2"	2 1/2" C
216	T/W	16-12-1/4" x 1/2"	2 1/2" C

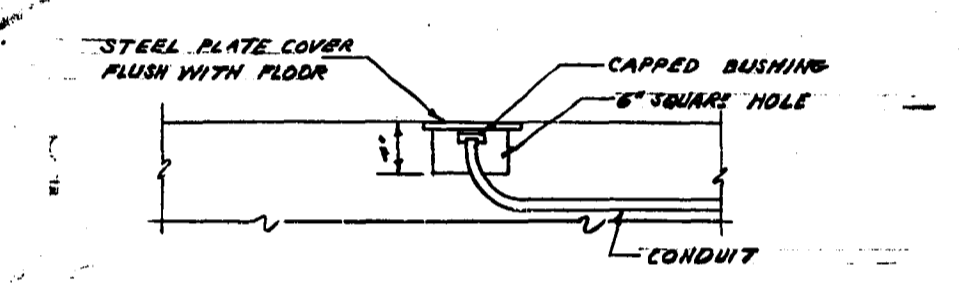
CONTROL CONDUCTOR RISER DIAGRAM
SYSTEM IS GENERAL ONLY. SEE CONTRACTOR'S DIAGRAMS FOR "AS BUILT" INFORMATION.

LEGEND
(FOR RISER DIAGRAM)

- △ TERMINAL CABINET NEAR EQUIPMENT
- ▲ LOCAL CONTROL PANEL
- ▲ CENTRAL CONTROL PANEL
- ▲ MOTOR CONTROL CENTRE & 4160V STARTERS
- MISCELLANEOUS EQUIPMENT
- LIQUID SLIP REGULATOR
- SOLENOID VALVE
- NO FLOTE RELAY
- MOTOR BEARING TEMPERATURE
- PUMP BEARING TEMPERATURE
- LIMIT SWITCH
- VALVE
- MOTOR WINDING TEMPERATURE
- ROTAMETER



TYPICAL MOUNTING ARRANGEMENT FOR PUSH BUTTON STATION & MOTOR CONNECTIONS
SCALE: 1" = 1'-0"

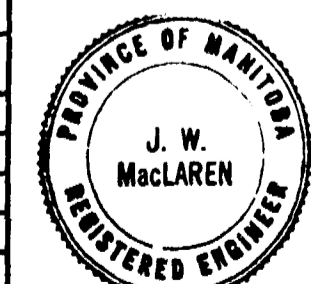


TERMINATION DETAIL FOR EMPTY CONDUIT IN FLOOR SLAB
N.T.S.

LEGEND
(FOR PLANT GROUNDING)

- COPPER GROUND BUS - SIZE AS NOTED
- GROUND ROD

REVISIONS		
NO.	DATE	DETAIL



THE METROPOLITAN CORPORATION OF GREATER WINNIPEG
WATERWORKS AND WASTE DISPOSAL DIVISION

NORTH END SEWAGE TREATMENT PLANT

CONTRACT A - MISCELLANEOUS ELECTRICAL - GROUNDING SCHEMATIC

J. W. MacLaren
JAMES P. MACLAREN LIMITED ENGINEERS TORONTO

J. L. Greer
W.L. WARDROP ASSOCIATES (MANAGEMENT) LIMITED ENGINEERING CONSULTANTS WINNIPEG

DATE: MARCH 11, 1963
SCALE: AS SHOWN
DWS. No. 200 OF 217
NEP-200

FOR ACTUAL ELEV. SUBTRACT 0.37 FT. **AS BUILT**